

standard pressure gauges

MS1 - DS 40-50

1.01



They can be used with gaseous or liquid media which do not corrode copper alloy and which do not have high viscosity or do not cristalize.

Functional and constructive characteristics.

1.01 DS 40

Accuracy: 1,6 as per EN 837-1.
Ambient temperature: -25...+50 °C.
Process temperature: max +65° C.
Working pressure: max 75% of the full scale value .
Over pressure limit: 25% of the full scale value.
Protection: IP 40 as per IEC 529.
Socket material: brass.
Elastic element: phosphorous bronze.
Welding: tin-copper alloy.
Case: AISI 304 st.st.
Window: acrylic resin.
Movement: brass.
Dial: aluminium, white with black markings.
Special dials: ranges different from standard, or custom artwork, available on request.
Pointer: black anodized aluminium.

1.01 DS 50

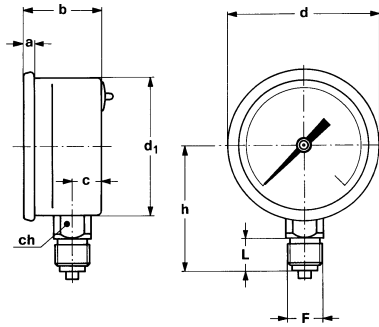
Accuracy: 1,6 as per EN 837-1.
Ambient temperature: -25...+65 °C.
Process temperature: max +65° C.
Working pressure: max 75% of the full scale value .
Over pressure limit: (referred to the full scale value):
 25% for pressure ranges ≤ 40 bar;
 15% for pressure ranges > 40 bar.
Protection: IP 40 as per IEC 529.
Socket material: brass.

Elastic element: phosphorous bronze.
Welding: tin-copper alloy for pressure ranges ≤ 40 bar;
 tin-silver alloy for pressure ranges > 40 bar.
Case: AISI 304 st.st.
Window: Plexiglas.
Movement: brass.
Dial: aluminium, white with black markings.
Special dials: ranges different from standard, or custom artwork, available on request.
Pointer: black anodized aluminium.
Window gasket: Neoprene.

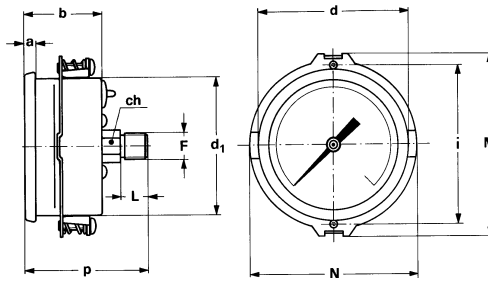
OPTIONS -"A" = DS 40; "B" = DS 50.

DESCRIPTION	CODE	
Brass nipple, 1/8" x 1/4" (2)	D01	AB
AISI nipple, 1/8" x 1/4" (3)	D02	A
All st.st. version (4)	E06	A
IP 55 protection	ENP	AB
Oxygen service M049	P02	AB
Restrictor for pressure ranges ≤ 40 bar (1)	S01	B
Without restrictor for pressure ranges > 40 bar (1)	S03	B
Glass window	T30	B

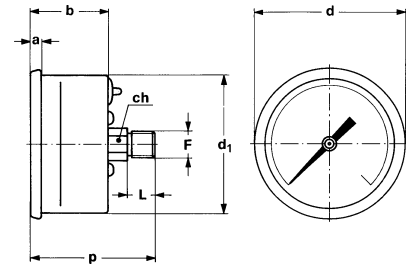
- (1) DS 50 lower connection only;
 (2) DS 40-50 back connection only;
 (3) DS 40 back connection only;
 (4) Process fluid temperature: + 150°C.

TYPE, DIMENSIONS AND WEIGHTS


TYPE A
stem mounting;
lower connection.



TYPE B
flush mounting, ring-clamp;
back connection.



TYPE D
stem mounting;
back connection.

DS	TYPE	F	a	b	c	d	d ₁	h	i	p	M	N	L	ch	Weight
40	D	1/8" BSP or NPT		26,5		41				45			10	12	0,07 kg
50	A	1/4" BSP	4	29	11	56	51	46,5					12	14	0,1 kg
50	A	1/4" NPT	4	29	11	56	51	49,5					15	14	0,1 kg
50	B	1/8" BSP or NPT	4	29		56	51		58,5	46	67,5	62,6	10	12	0,085 kg
50	D	1/8" BSP or NPT	4	29		56	51			46			10	12	0,085 kg

(dimensions : mm.)

HOW TO ORDER RANGES - "A" = DS 40; "B" = DS 50.

TAB. 1

RANGE	bar	kPa	MPa	bar ext.	bar ext.	bar ext.
				psi int.	kPa int.	MPa int.
0...1			AB			
0...1,6			AB			
0...2,5	AB		AB	AB	AB	
0...4	AB		AB	AB	AB	
0...6	AB		B	AB	AB	
0...10	AB		B	AB		AB
0...16	AB		B	AB		AB
0...25	AB		B	AB		AB
0...40	AB		B	AB		AB
0...60	B			B		B
0...100	B			B		B
0...160	B			B		B
0...250	B	AB		B		B
0...400	B	AB		B		B
0...600		AB				
0...1000		AB				
0...1600		AB				
0...2500		AB				

TAB. 2

RANGE	psi int.	psi ext.	psi ext.
	kPa ext.	bar int.	kg/cm ² int.
0...30	AB	AB	AB
0...60	AB	AB	AB
0...100	AB	AB	AB
0...160	AB	AB	AB
0...200	AB	AB	AB
0...300	AB	AB	AB
0...400	AB	AB	AB
0...500	AB	AB	AB
0...600	AB	AB	AB
0...1000	B	B	B
0...1500	B	B	B
0...2000	B	B	B
0...3000	B	B	B
0...4000	B	B	B
0...5000	B	B	B
0...6000	B	B	B

	CODE & DESCRIPTION
1	1 - pressure gauges
01.1	01.1 - std. pres. gauges MS1
B	A - lower connection - stem mounting B - back connection - flush mounting, ring-clamp D - back connection - stem mounting
B	A - DS 40 B - DS 50
2	2 - for pres. ranges ≤ 40 bar 3 - for pres. ranges > 40 bar
0/10 bar	see ranges table
13M	23M - 1/4" NPTM (1) 21M - 1/4" BSPM (1) 13M - 1/8" NPTM 11M - 1/8" BSPM
T30	see options table

(1) to be ordered with option D01, if the instruments have back connection. (option D02 if AISI is requested)