

standard pressure gauges MS7

painted steel case and ring

DS 40-50-63

1.07



They can be used with gaseous or liquid media which do not corrode copper alloy, which do not have high viscosity and do not crystallize. They are suitable for pneumatic and hydraulic circuits, compressors, filters and pressure regulators.

Functional and constructive characteristics

1.07

Accuracy class: 2,5 as per UNI EN 837-1

Ambient temperature: -20°C...+60°C.

Process temperature: + 60 °C max.

Working pressure: 75% max of F.S.V.

Overpressure: not applicable.

Socket material: brass.

Elastic element: phosphor bronze.

Case and ring: painted steel.

Window: glass.

Movement: copper alloy.

Dial: Galvanically protected steel, white with black markings.

Pointer: Aluminium, painted black.

RANGES

Ranges	bar	bar ext. psi int.
-1...0	◆	◆
0...1	◆	◆
0...1,6	◆	◆
0...2,5	◆	◆
0...4	◆	◆
0...6	◆	◆
0...10	◆	◆
0...16	◆	◆
0...25	◆	◆
0...40	◆	◆
0...60	◆	◆
0...100	◆	◆
0...160	◆	◆
0...250	◆	◆

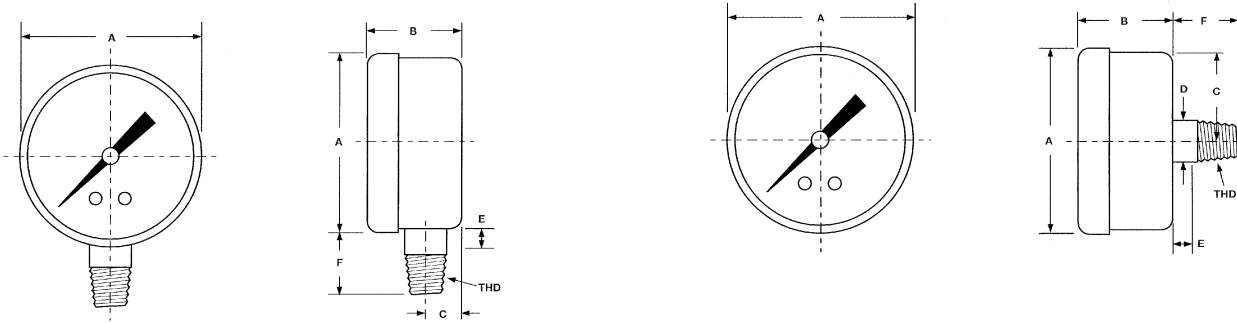
Ranges	psi	inHg
-30...0		◆
0...15	◆	
0...30	◆	
0...60	◆	
0...100	◆	
0...160	◆	
0...200	◆	
0...300	◆	
0...400	◆	
0...500	◆	
0...600	◆	
0...1000	◆	
0...1500	◆	
0...2000	◆	
0...3000	◆	

standard pressure gauges MS7

painted steel case and ring - DS 40-50-63

1.07

TYPES AND DIMENSIONS (mm.)



TYPE A

stem mounting;
lower connection.

DS	A	B	C	D	E	F
40	41,4	22,6	7,1	10,9	5,6	15,2
50	52,6	26,2	9,4	14	6,4	18,8
63	63,2	29,7	9,9	14	10,4	22

TYPE D

stem mounting;
back connection.

DS	A	B	C	D	E	F
40	41,4	23,1	20,3	10,9	4,6	15
50	52,6	25,9	25,7	14	7,4	19,8
63	63,2	31,5	30,7	14	8,9	21,6

HOW TO ORDER

	CODE & DESCRIPTION
1	1 - Bourdon tube pressure gauges
07.1	07.1 - standard pressure gauges, painted steel case MS7
A	A - lower connection D - back connection
B	A - DS 40 B - DS 50 C - DS 63
2	1 - ranges < 2,5 bar and vacuum 2 - ranges 2,5...40 bar 3 - ranges > 40 bar
0...10 bar	See ranges tables
13M	11M - 1/8" BSP M 12M - 1/8" BSP M tapered 13M - 1/8" NPT M 21M - 1/4" BSP M 22M - 1/4" BSP M tapered 23M - 1/4" NPT M
K16	See Options table

OPTIONS

DESCRIPTION	CODE
Chromium plated case and ring	CPR
Chromium plated socket	CPS
Accuracy $\pm 1,6\%$	K16
Dampened movement (1)	MSM

(1) Not available with K16